

# SERVICE MANUAL

INTEGRATED DC SERVO  
STEREO AMPLIFIER

## SANSUI A-1100

(Silver & Black Model)

## CLASSIQUE A-1130



### CAUTION

1. Parts identified by the  $\Delta$  symbol on the schematic diagram and the parts list are critical for safety. Use only replacement parts that have critical characteristics recommended by the manufacturer.
2. Make leakage-current or resistance measurements to determine that exposed parts are acceptably insulated from the supply circuit before returning the appliance to the customer.

**Sansui**

SANSUI ELECTRIC CO., LTD.

A-1100  
CLASSIQUE A-1130

A-  
CL

### •SPECIFICATIONS

#### A-1100

##### Power output

Min. RMS, both channels driven, from 20 to 20,000 Hz, with no more than 0.05% total harmonic distortion  
100 watts per channel into 8 ohms

Load impedance..... 8 ohms

##### Total harmonic distortion

..... less than 0.05% at or below rated min. RMS power output

##### Frequency response (at 1 watt)

..... 5 to 60,000 Hz  
+1 dB, -2 dB

##### RIAA curve deviation (PHONO, 20 Hz to 20 kHz)

..... +0.5 dB, -0.5 dB

##### Input sensitivity and impedance

(1 kHz, for rated power output)

PHONO..... 2.5 mV/47 kilohms

(Max. input capability; 120mV at 1 kHz, less than 0.1% total harmonic distortion)

TUNER, TAPE PLAY.... 150 mV/47 kilohms

##### Output level (1 kHz)

TAPE REC..... 130 mV into 47 kilohms

##### Signal to noise ratio (short-circuit, A-network)

PHONO..... 72 dB

TUNER, TAPE PLAY.... 95 dB

##### Power requirements

Power voltage..... 120/220/240V (50/60 Hz)

For U.S.A. & Canada

..... 120V (60 Hz)

Power consumption.... 350 watts 450 VA Rated

##### Dimensions..... 430 mm (16-15/16") W

112 mm (4-7/16") H

250 mm (9-7/8") D

##### Weight..... 7.0 kg (15.4 lbs.) net

7.6 kg (16.8 lbs.) packed

#### CLASSIQUE A-1130

Power voltage..... 120V (60 Hz)

Power consumption.... 350 watts

##### Dimensions..... 430 mm (16-15/16") W

112 mm (4-7/16") H

250 mm (9-7/8") D

##### Weight..... 7.0 kg (15.4 lbs.) net

7.6 kg (16.8 lbs.) packed

\* Design and specifications subject to changes without notice for improvements.

\* In order to simplify the explanation illustrations may sometimes differ from the originals.



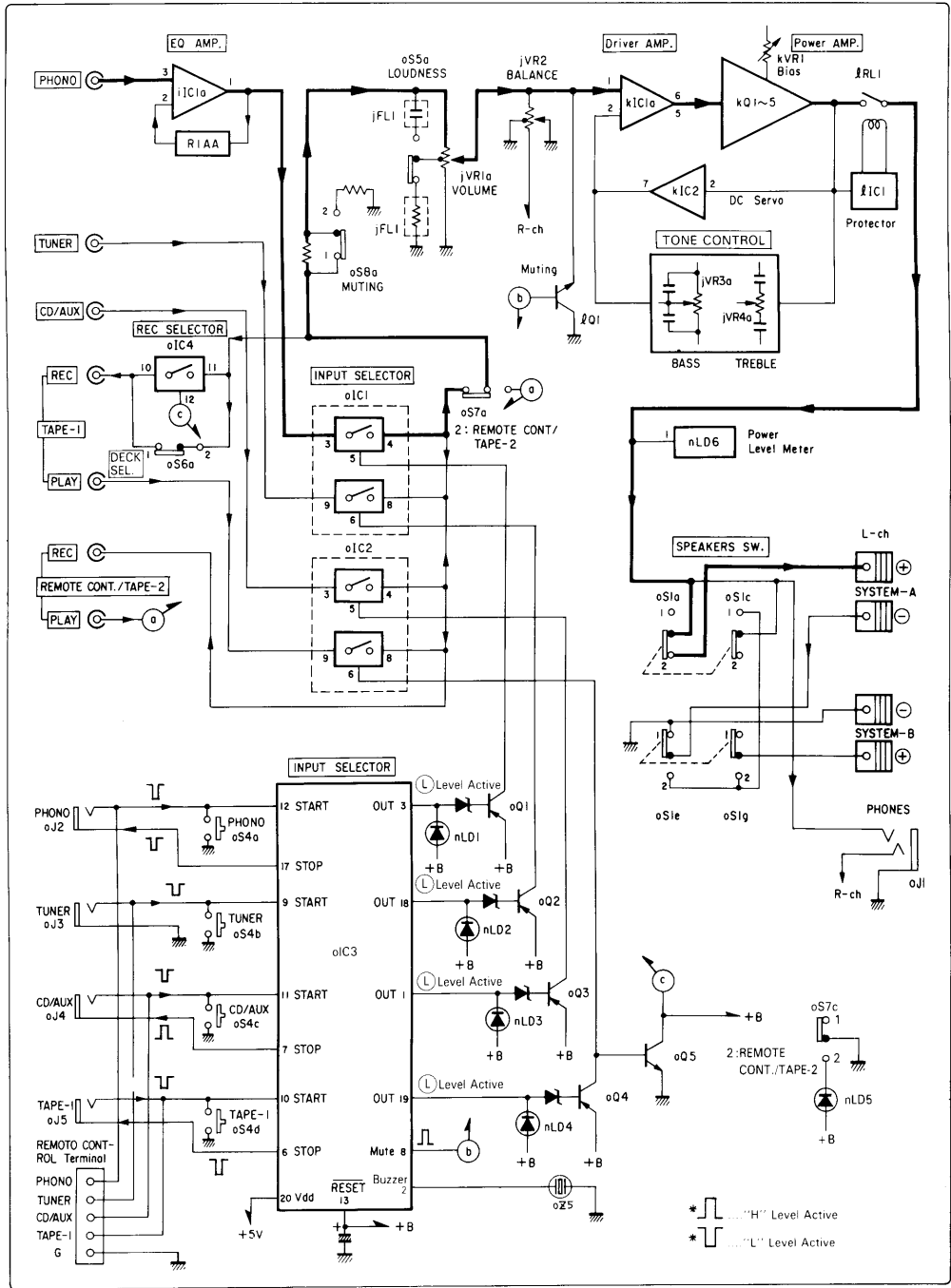
## CAUTION

1. The symbols, UL, CSA, SA, BS, UK, EU, AS and XX on the parts list and the schematic diagram mean followings respectively.
  - UL..... Manufactured for U.S.A market.  
(Underwriters Laboratories approved model.)
  - CSA..... Manufactured for Canadian market.
  - SA..... Manufactured for South African market.
  - BS, UK..... Manufactured for United Kingdom market.
  - EU..... Manufactured for European market.
  - AS..... Manufactured for Australian market.
  - XX..... Standard Version.
  - NON MARK..... Common Parts.
2. Some printed circuit boards are not supplied as the assembled.  
To separate these in this service manual, the stock No's are not indicated at the ends of the board names. However, the individual parts on the circuit boards are provided by orders.
3. Since some of capacitors and resistors are omitted from parts lists in this service manual, refer to the Common Parts List for capacitors & resistors, which was issued on February 1983.
4. Abbreviations in this service manual are as follows.

### •Abbreviations List

C.R. : Carbon Resistor	E.B.L. : Low Leak Bi-Polar
S.R. : Solid Resistor	Electrolytic Capacitor
Ce.R. : Cement Resistor	Ta.C. : Tantalum Capacitor
M.R. : Metal Film Resistor	F.C. : Film Capacitor
F.R. : Fusing Resistor	M.P. : Metalized Paper Capacitor
N.I.R. : Non-Inflammable Resistor	P.C. : Polystyrene Capacitor
A.R. : Array Resistor	G.C. : Gimmic Capacitor
C.C. : Ceramic Capacitor	A.C. : Array Capacitor
C.T. : Ceramic Capacitor, Temperature Compensation	V.R. : Variable Resistor
E.C. : Electrolytic Capacitor	S.V.R. : Semi Variable Resistor
E.L. : Low Leak Electrolytic Capacitor	SW. : Switch
E.B. : Bi-Polar Electrolytic Capacitor	Chip R. : Chip Resistor
	Chip C. : Chip Capacitor

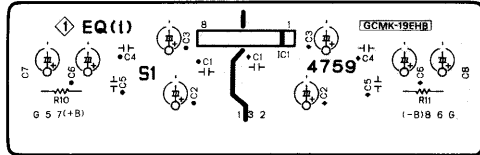
# 1. BLOCK DIAGRAM



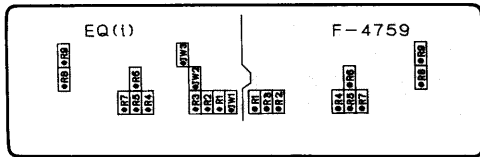
## 2. PARTS LOCATION & PARTS LIST

### 2-1. F-4759 Equalizer Amp. Board (Stock No. 00852601)

Component Side



Pattern Side <Chip Parts>



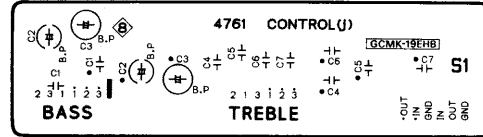
•Note: On this circuit board, the left channel is specified by "●" mark on top of the parts No.

#### Parts List

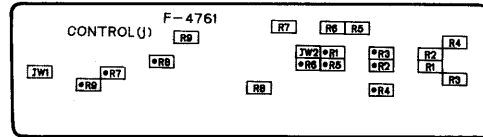
Parts No.	Stock No.	Description
•IC		
•IC1	46078900	M5218L
•JW1 ~ 3	46741100	Cross Conductor (Chip)
•R1	46752400	100kΩ 1/8W Chip R.
•R2	46746800	470Ω 1/8W Chip R.
•R3	46752400	100kΩ 1/8W Chip R.
•R4	46746900	510Ω 1/8W Chip R.
•R5	46746900	510Ω 1/8W Chip R.
•R6	46750800	22kΩ 1/8W Chip R.
•R7	46753500	300kΩ 1/8W Chip R.
•R8	46746800	470Ω 1/8W Chip R.
•R9	46752400	100kΩ 1/8W Chip R.
△R10	46229000	100Ω 1/2W N.I.R.
△R11	46229000	100Ω 1/2W N.I.R.
•C4	46282400	3300pF 50V F.C.
•C5	46283000	0.012μF 50V F.C.

### 2-2. F-4761 Tone Control Board

Component Side



Pattern Side <Chip Parts>



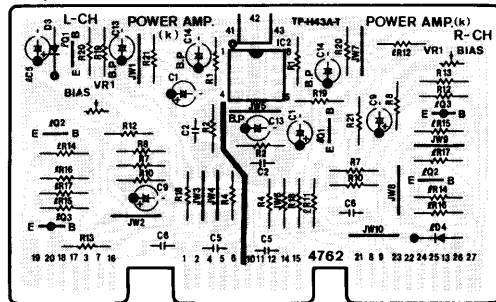
•Note: On this circuit board, the left channel is specified by "●" mark on top of the parts No.

#### Parts List

Parts No.	Stock No.	Description
•jW1,2	46741100	Cross Conductor (Chip)
•R1	46750200	12kΩ 1/8W Chip R.
•R2	46748200	1.8kΩ 1/8W Chip R.
•R3	46753400	270kΩ 1/8W Chip R.
•R4	46751000	27kΩ 1/8W Chip R.
•R5	46751700	51kΩ 1/8W Chip R.
•R6	46748400	2.2kΩ 1/8W Chip R.
•R7	46749400	5.6kΩ 1/8W Chip R.
•R8	46749600	6.8kΩ 1/8W Chip R.
•R9	46747200	680Ω 1/8W Chip R.
•C1	46283600	0.039μF 50V F.C.
•C2	46937000	0.22μF 50V E.B.
•C3	48101800	47μF 10V E.B.
•C4	46281800	1000pF 50V F.C.
•C5	46282800	8200pF 50V F.C.
•C6	46282700	6800pF 50V F.C.

### 2-3. F-4762 Driver Amp. Board (Stock No. 00882301)

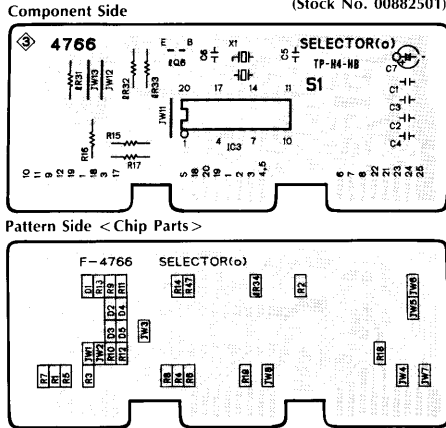
Component Side



Parts List

Parts No.	Stock No.	Description
•IC		
•IC2	03607700	NJM4558D
△KR12	46228600	47Ω 1/2W N.I.R.
△KR13	46228600	47Ω 1/2W N.I.R.
•KC13	48103500	2.2μF 50V E.B.
•KC14	48102400	4.7μF 25V E.B.
•kVR1	07261600	1kΩ (B) S.V.R., Bias Adj.
•Transistor		
•IQ1	46367301	2SC2458
	or 46581701	2SC1845
•IQ2	46367101	2SC2603
	or 46367301	2SC2458
•IQ3	46367001	2SA1115
	or 46367201	2SA1048
•Diode		
•ID3	03117600	1S2473T77
	or 46086000	1S1588TP-3
•ID4	03117600	1S2473T77
	or 46086000	1S1588TP-3

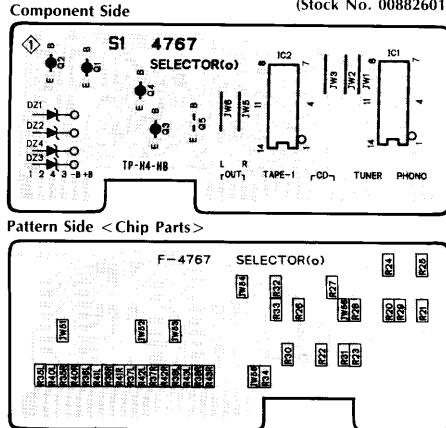
2-4. F-4766 INPUT SELECTOR Control Board (Stock No. 00882501)



Parts List

Parts No.	Stock No.	Description
• Transistor		
oIC6	46188701 or 46367101 or 46367301	2SC1815 2SC2603 2SC2458
oIR34	46749200	4.7kΩ 1/8W Chip R.
• IC		
oIC3	48158300	M50761-450P
oX01	46396200	Ceramic Element CSB400P
• Diode		
oD1	46852000	RLS-73 (Chip)
oD2	46852000	RLS-73 (Chip)
oD3	46852000	RLS-73 (Chip)
oD4	46852000	RLS-73 (Chip)
oD5	46852000	RLS-73 (Chip)
oJW1 ~ 7	46741100	Cross Conductor (Chip)
oR1	46747600	1kΩ 1/8W Chip R.
oR2	46749200	4.7kΩ 1/8W Chip R.
oR3	46747600	1kΩ 1/8W Chip R.
oR4	46748000	1.5kΩ 1/8W Chip R.
oR5	46747600	1kΩ 1/8W Chip R.
oR6	46748000	1.5kΩ 1/8W Chip R.
oR7	46747600	1kΩ 1/8W Chip R.
oR8	46748000	1.5kΩ 1/8W Chip R.
oR9	46750000	10kΩ 1/8W Chip R.
oR10	46750000	10kΩ 1/8W Chip R.
oR11	46750000	10kΩ 1/8W Chip R.
oR12	46750000	10kΩ 1/8W Chip R.
oR13	46752400	100kΩ 1/8W Chip R.
oR14	46754800	1MΩ 1/8W Chip R.
oR18	46746600	390Ω 1/8W Chip R.
oR19	46751800	56kΩ 1/8W Chip R.
oR47	46748800	3.3kΩ 1/8W Chip R.

2-5. F-4767 Input Signal Selector Board (Stock No. 00882601)

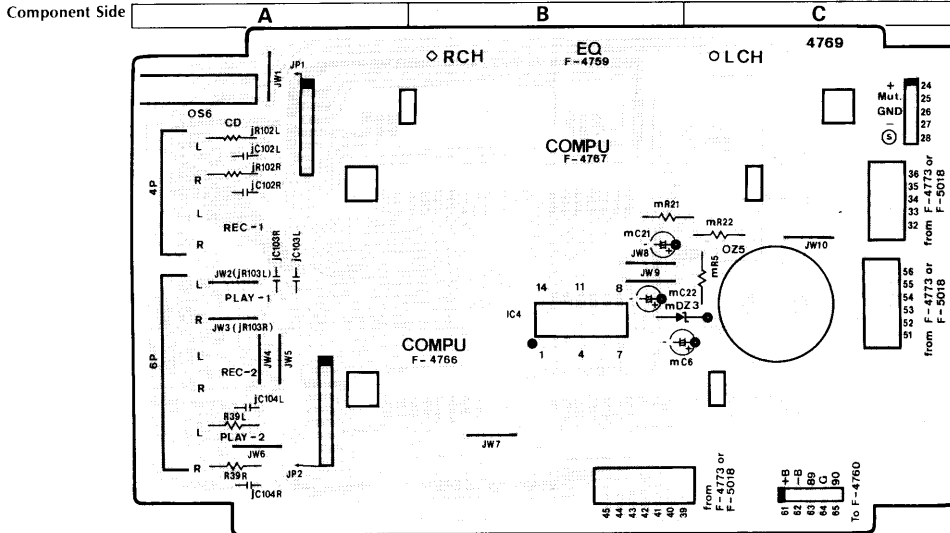


Parts List

Parts No.	Stock No.	Description
• Transistor		
oQ1	46188601 or 46367001 or 46367201	2SA1015 2SA1115 2SA1048
oQ2	46188601 or 46367001 or 46367201	2SA1015 2SA1115 2SA1048
oQ3	46188601 or 46367001 or 46367201	2SA1015 2SA1115 2SA1048
oQ4	46188601 or 46367001 or 46367201	2SA1015 2SA1115 2SA1048
oQ5	46188701 or 46367101 or 46367301	2SC1815 2SC2603 2SC2458
• IC		
oIC1	46255000 or 48056800	LC4066BH LC4966
oIC2	46255000 or 48056800	LC4066BH LC4966
• Zener Diode		
oDZ1	46112700	05Z8 2-Y
oDZ2	46112700	05Z8 2-Y
oDZ3	46112700	05Z8 2-Y
oDZ4	46112700	05Z8 2-Y
oJW51 ~ 56	46741100	Cross Conductor (Chip)
oR20	46747200	680Ω 1/8W Chip R.
oR21	46747200	680Ω 1/8W Chip R.
oR22	46747200	680Ω 1/8W Chip R.
oR23	46747200	680Ω 1/8W Chip R.
oR24	46749200	4.7kΩ 1/8W Chip R.
oR25	46749200	4.7kΩ 1/8W Chip R.
oR26	46749200	4.7kΩ 1/8W Chip R.
oR27	46749200	4.7kΩ 1/8W Chip R.
oR28	46751600	47kΩ 1/8W Chip R.
oR29	46751600	47kΩ 1/8W Chip R.
oR30	46751600	47kΩ 1/8W Chip R.
oR31	46751600	47kΩ 1/8W Chip R.
oR32	46750800	22kΩ 1/8W Chip R.
oR33	46749200	4.7kΩ 1/8W Chip R.
oR34	46751600	47kΩ 1/8W Chip R.
oR35	46749200	4.7kΩ 1/8W Chip R.
oR36	46749200	4.7kΩ 1/8W Chip R.
oR37	46749200	4.7kΩ 1/8W Chip R.
oR38	46749200	4.7kΩ 1/8W Chip R.
oR40	46754000	470kΩ 1/8W Chip R.
oR41	46754000	470kΩ 1/8W Chip R.
oR42	46754000	470kΩ 1/8W Chip R.
oR43	46754000	470kΩ 1/8W Chip R.

**A-1100  
CLASSIQUE A-1130**

**2-6. F-4769 CD/AUX, TAPE-1 & TAPE-2 Terminal Board (Stock No. 00882801)**

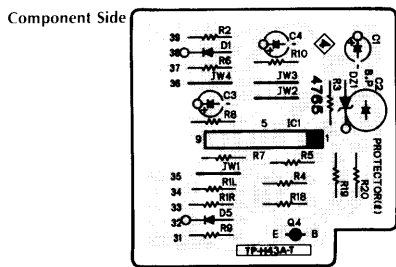


**Parts List**

Parts No.	Stock No.	Description
• Zener Diode mDZ3	46100900	05Z5.1-X
Δ mR5	46229600	330Ω 1/2W N.I.R.
• IC oIC4	46255000 or 48056800	LC4066BH LC4966

Parts No.	Stock No.	Description
oS6	46670600	Push SW., DECK SELECTOR
oZ3	46546800	6P Terminal, TAPE-1 PLAY, TAPE-2
oZ5	48178400	Buzzer
oZ6	46371500	4P Terminal, CD/AUX, TAPE-1 REC

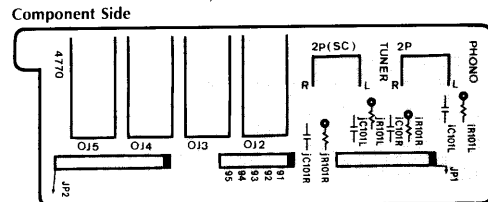
**2-7. F-4765 Protector Board (Stock No. 00882401)**



**Parts List**

Parts No.	Stock No.	Description
• Transistor IQ4	46367001 or 46367201	2SA1115 2SA1048
• IC IC1	46207600	TA7317P
• Diode ID1	03117600 or 46086000	1S2473T77 1S1588TP-3
• Diode ID5	03117600 or 46086000	1S2473T77 1S1588TP-3
• Zener Diode IDZ1	46115400	05Z20-Y
IC2	48101500	100μF 6.3V E.B.

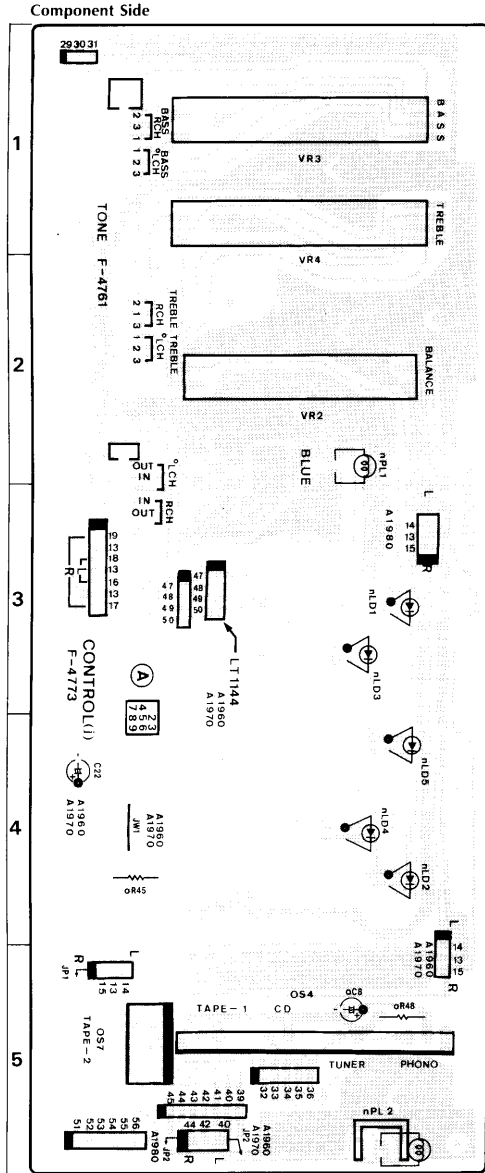
**2-8. F-4770 PHONO, TUNER COMPU SELECTOR Terminal Board**



**Parts List**

Parts No.	Stock No.	Description
oJ2	46547200	Mini Jack, PHONO
oJ3	46547200	Mini Jack, TUNER
oJ4	46547200	Mini Jack, CD/AUX
oJ5	46547200	Mini Jack, TAPE-1
oZ2	46438100	2P Terminal, PHONO
oZ7	46363700	2P Terminal, TUNER

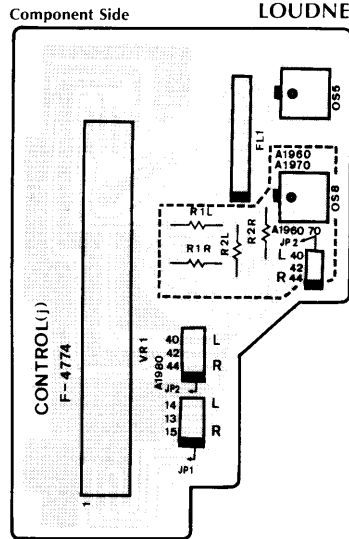
**2-9. F-4773 Tone Control & Indicator Board (Stock No. 00883101)**



**Parts List**

Parts No.	Stock No.	Description
jVR2	48171100	250K (W) V.R., BALANCE
jVR3	48171200	50kΩ (C) V.R., BASS
jVR4	48171200	50kΩ (C) V.R., TREBLE
•LED		
nLD1	48172100	BR3447S
nLD2	48172100	BR3447S
nLD3	48172100	BR3447S
nLD4	48172100	BR3447S
nLD5	48172100	BR3447S
nPL1	48191900	12V 0.15A Pilot Lamp
nPL2	46286600	12V 0.15A Pilot Lamp
oS4	48178600	Push SW., INPUT SELECTOR
oS7	46556300	Push SW., REMOTE CONT. TAPE-2

**2-10. F-4774 VOLUME, MUTING & LOUDNESS Board**

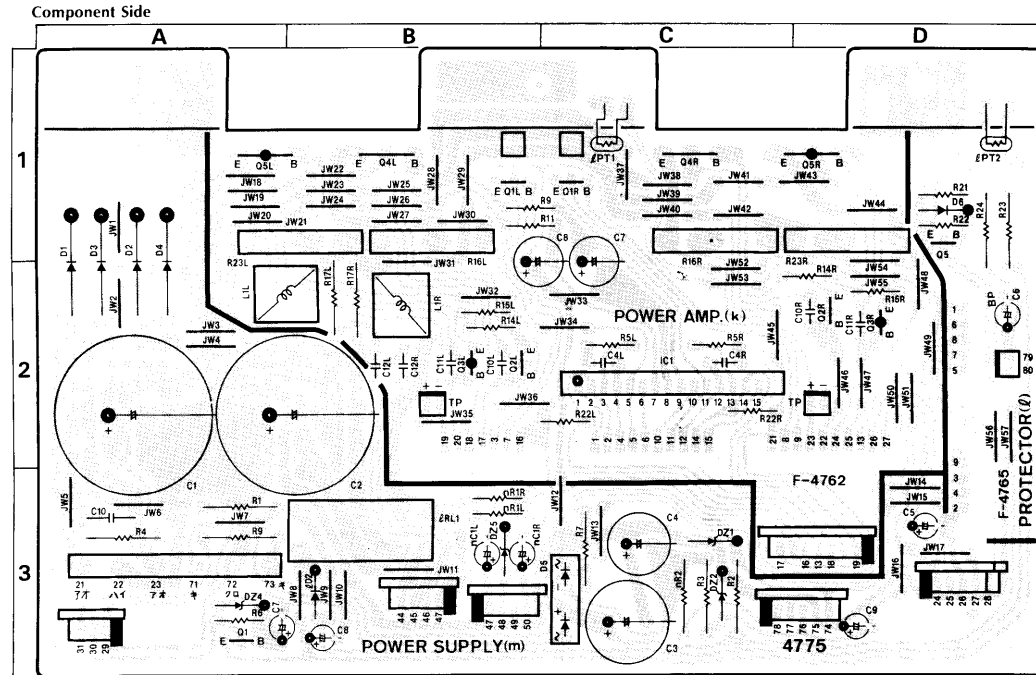


**Parts List**

Parts No.	Stock No.	Description
jFL1	48172000	CR Module
jVR1	48171000	150kΩ (B) V.R., VOLUME
oS5	48224600	Push SW., LOUDNESS
oS8	48224600	Push SW., MUTING

**A-1100  
CLASSIQUE A-1130**

**2-11. F-4775 Power Amp. & Power Supply Board (Stock No. 00883301)**



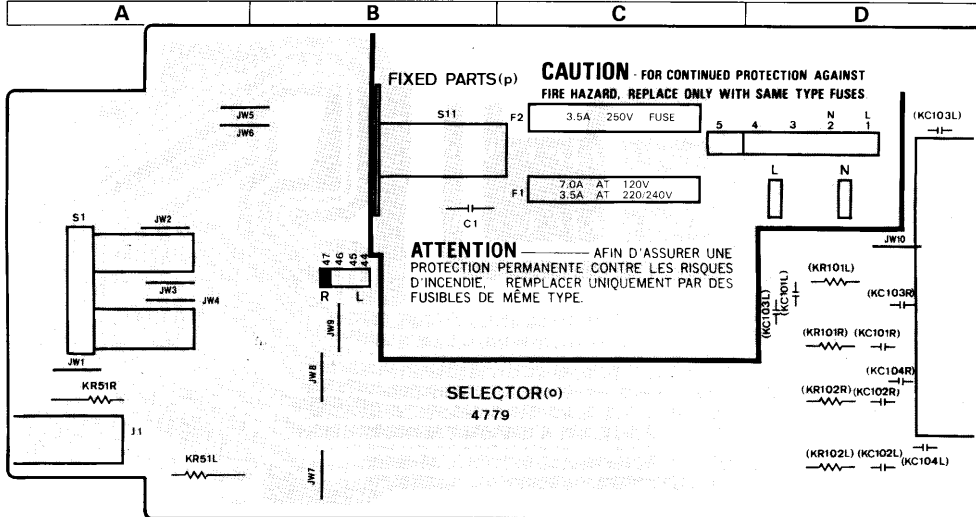
**Parts List**

Parts No.	Stock No.	Description	Parts No.	Stock No.	Description
• Transistor			Δ IR23	46249300	100Ω 1W N.I.R.
Δ kQ1	03067401	2SC1845	Δ IR24	46249300	100Ω 1W N.I.R.
Δ kQ2	46728901	2SC3298	IC6	48103600	3.3μF 50V E.B.
Δ	or 48158701	2SC2591	IRL1	48183100	Relay, Protector
Δ kQ3	46728801	2SA1306	or 48183200	Relay, Protector	
Δ	or 48158601	2SA1111	• Transistor		
Δ kQ4	46085301	2SC2581	Δ mQ1	07206401	2SD600K
Δ	or 46862501	2SC3519	• Diode		
Δ kQ5	46085401	2SA1106	Δ mD1	03115300	30D2
Δ	or 46862401	2SA1386	Δ mD2	03115300	30D2
• IC			Δ mD3	03115300	30D2
kIC1	46862200	STK3102-2A	Δ mD4	03115300	30D2
Δ kR9	46228600	47Ω 1/2W N.I.R.	Δ mD5	03117000	RB152-LFF
Δ kR11	46229000	100Ω 1/2W N.I.R.	• Zener Diode		
Δ kR14	46229200	150Ω 1/2W N.I.R.	mDZ1	03150601	EQB01-12
Δ kR15	46229200	150Ω 1/2W N.I.R.	or 03170300	RD12F	
Δ kR16	07235100	0.47ΩX2 5W Ce.R.	mDZ2	03150601	EQB01-12
Δ kR17	46248100	10Ω 1W N.I.R.	or 03170300	RD12F	
Δ kR23	07235100	0.47ΩX2 5W Ce.R.	mDZ4	46116000	05Z24-Y
kC12	46283700	0.047μF 50V F.C.	mDZ5	03169900	RD10F
kL1	46394500	Inductor Coil	Δ mR1	46248700	33Ω 1W N.I.R.
or 46394501	Inductor Coil	Δ mR2	46249500	150Ω 1W N.I.R.	
• Transistor			Δ mR3	46249600	180Ω 1W N.I.R.
IQ5	48061801	2SC3244	Δ mR4	46250300	680Ω 1W N.I.R.
• Diode			Δ mR7	46624400	120Ω 2W N.I.R.
ID2	48123600	11E-2	Δ mR9	46248700	33Ω 1W N.I.R.
ID6	03117600	1S2473T77	mC1	48201400	8200μF 80V E.C.
or 46086000	1S1588TP-3	mC2	48201400	8200μF 80V E.C.	
IPT1	48193200	Posistor B471TS	mC10	08680400	0.01μF 500V C.C.
Δ IPT2	48193000	Posistor E471TS			



**2-12. F-4779 PHONES Jack, SPEAKERS SW. & POWER SW. Board**

Component Side



**Parts List**

Parts No.	Stock No.	Description
△kR51	46229400	220Ω 1/2W N.I.R.
oS1	48170900	Push SW., SPEAKERS
oJ1	46265700	Jack, PHONES
oZ4	46947500	8P Terminal, SPEAKERS
△pC1	46425800 or 46943200	0.01μF 400V C.C. 0.01μF 400V C.C.

Parts No.	Stock No.	Description
△pF1	07188900	Fuse 3.5A 250V for A-1100 (XX-220/240V)
△	07189300	Fuse 7.0A 250V for A-1100 (XX-120V, UL, CSA) & CLASSIQUE A-1130
△pS11	48113300	Push SW., POWER for A-1100 (XX, UL) & CLASSIQUE A-1130
△	48065100	Push SW., POWER for A-1100 (CSA)

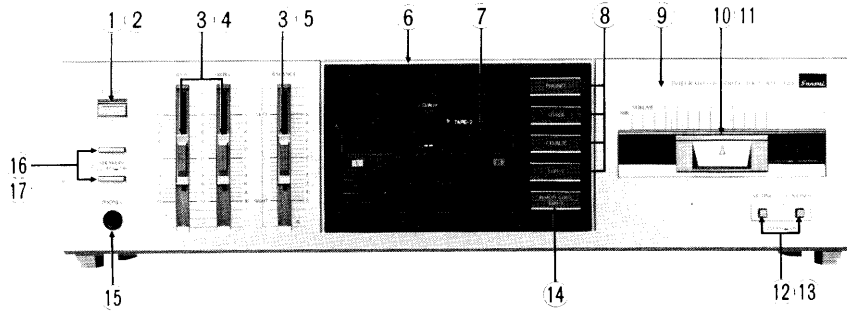
**3. ADJUSTMENT** (See Top View on page 9)

- Note:** 1) Master Volume .... Minimum  
 2) Room Temperature .... 18°C ~ 28°C (65°F ~ 83°F)  
 3) For this adjustment, run the unit for more than 5 minutes after the power is switched ON.  
 4) Before turning ON power switch, set kVR1 on F-4762 to center position.

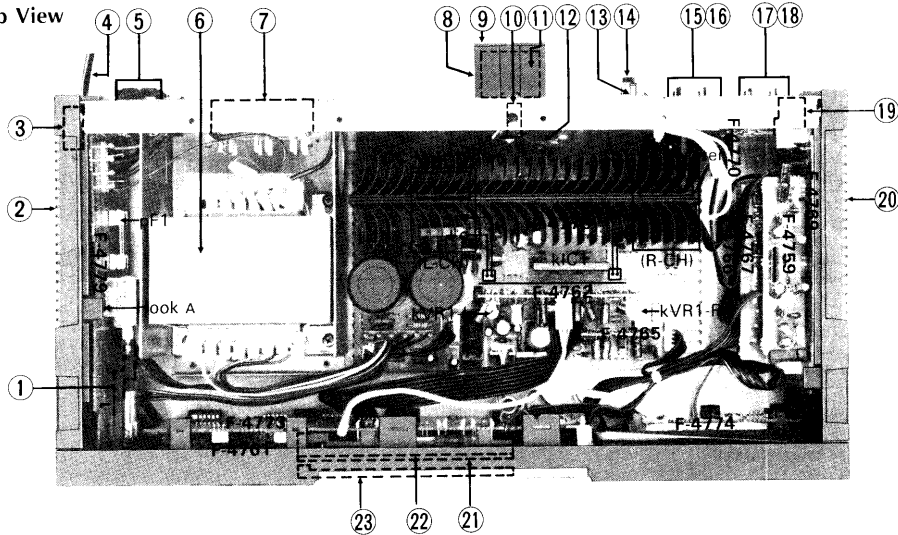
STEP	SUBJECT	MEASURE OUTPUT	ADJUST	ADJUST FOR	REMARKS
1.	Bias Current Adj. L-CH	Test Terminal (TP) < Between emitters of power transistors (kQ4L & kQ5L) >	kVR1, L-ch (F-4762)	DC 10mV ± 2mV	•This bias value is converted from current value into voltage by ohms law.
2.	Bias Current Adj. R-CH	Test Terminal (TP) < Between emitters of power transistors (kQ4R & kQ5R) >	kVR1, R-ch (F-4762)	DC 10mV ± 2mV	

## 4. OTHER PARTS

4-1. Front View



4-2. Top View



Parts List < Front View >

Parts No.	Stock No.	Description	Parts No.	Stock No.	Description
1	47746800	Knob, POWER for A-1100 Silver Model		47867100	Front Panel Ass'y for A-1100 Black Model (CSA)
	47746900	Knob, POWER for A-1100 Black Model & CLASSIQUE A-1130		47884400	Front Panel Ass'y for CLASSIQUE A-1130
△ 2	48113300	Push SW., POWER for A-1100 (XX, UL) & CLASSIQUE A-1130	10	47761410	Knob Ass'y, VOLUME for A-1100 Silver Model
△ 3	48065100	Push SW., POWER for A-1100 (CSA)		47761510	Knob Ass'y, VOLUME for A-1100 Black Model & CLASSIQUE A-1130
4	47732900	Knob, BASS, TREBLE, BALANCE	11	48171000	150kΩ (B) V.R., VOLUME
4	48171200	50kΩ (C) Slide V.R., BASS, TREBLE	12	47763410	Knob, LOUDNESS, MUTING for A-1100 Silver Model
5	48171100	250kΩ Slide V.R., BALANCE		47763510	Knob, LOUDNESS, MUTING for A-1100 Black Model & CLASSIQUE A-1130
6	47910100	Bonnet for A-1100 Silver Model	13	48183000	Push SW., LOUDNESS, MUTING
6	47910200	Bonnet for A-1100 Black Model & CLASSIQUE A-1130	14	46556300	Push SW., REMORT CONT./TAPE-2
7	48185810	Power Level Meter	15	46265700	Jack, PHONES
8	48178600	Push SW., PHONO, TUNER, CD/AUX, TAPE-1	16	47716800	Knob, SPEAKERS for A-1100 Silver Model
9	47834800	Front Panel Ass'y for A-1100 Silver Model (XX, UL)	16	07911000	Knob, SPEAKERS for A-1100 Black Model & CLASSIQUE A-1130
	47834900	Front Panel Ass'y for A-1100 Black Model (XX, UL)	17	48170900	Push SW., SPEAKERS
	47867000	Front Panel Ass'y for A-1100 Silver Model (CSA)			

▶ to be continued on page 11

**A-1100  
CLASSIQUE A-1130**

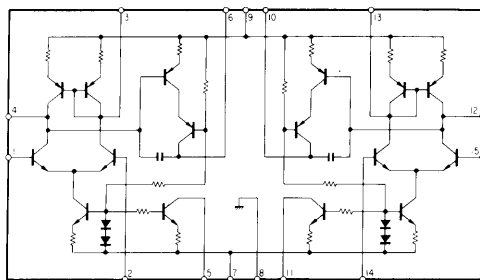
**Parts List < Top View >**

Parts No.	Stock No.	Description
1	47809700	Joint Shaft, Power SW.
2	47924100	Side Panel Ass'y (Left) for A-1100 Silver Model
	47924200	Side Panel Ass'y (Left) for A-1100 Black Model & CLASSIQUE A-1130
3	47770900	Power Supply Cord Cover
△ 4	38004700	Power Supply Cord for CLASSIQUE A-1130 & A-1100 (XX, UL)
△ 4	48187800	Power Supply Cord for A-1100 (CSA)
5	46947500	8P Terminal, SPEAKERS
△ 6	15020601	Power Transformer for A-1100 (XX)
△ 6	15020602	Power Transformer for A-1100 (UL, CSA) & CLASSIQUE A-1130
△ 7	46360100	AC OUTLET for A-1100 (XX, UL) & CLASSIQUE A-1130
△ 7	48184800	AC OUTLET for A-1100 (CSA)
8	47808100	Holder, DC Motor
9	47808000	Cover, DC Motor

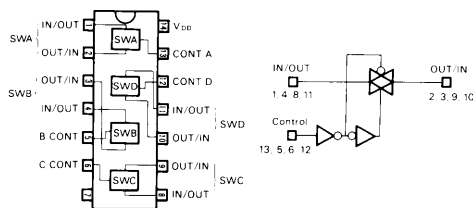
Parts No.	Stock No.	Description
10	47878000	Sleeve, DC Motor
11	46737500	DC Motor
12	07255000	Fan
13	48197700	5P-Terminal, Remote Control
14	22301510	Ground Terminal
15	46438100	2P-Terminal, PHONO
16	46363700	2P-Terminal, TUNER
17	46546800	6P-Terminal, TAPE-1 PLAY, TAPE-2
18	46371500	4P-Terminal, CD/AUX, TAPE-1 REC
19	46670600	Push SW., DECK SELECTOR
20	47768710	Side Panel Ass'y (Right) for A-1100 Silver Model
	47874810	Side Panel Ass'y (Right) for CLASSIQUE A-1130 & A-1100 Black Model
21	47807700	Mask Plate
22	47822400	Mask Plate Holder
23	47868300	Scale Plate, POWER LEVEL METER

**6. INTERIOR BLOCK DIAGRAM OF IC**

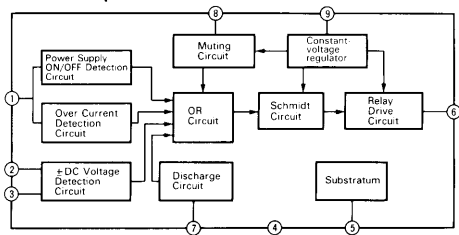
•STK3102-2A (Driver Amp. IC)



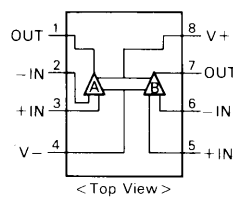
•LC4066BH/LC4699 (Quad Analog SW. IC)



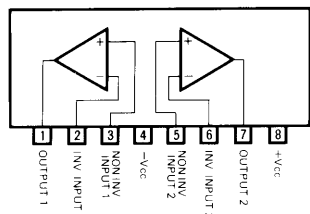
•TA7317P (Speaker Protector IC)



•NJM4558D (OP Amp. IC)



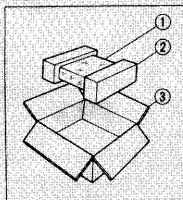
•M5218L (OP Amp. IC)



A-1100  
CLASSIQUE A-1130

## 7. PACKING LIST

Parts No.	Stock No.	Description
1	47859900	Vinyl Bag
2	47764600	Styrofoam Packing
3	47833900	Carton Case for A-1100 Silver Model
	47834000	Carton Case for A-1100 Black Model
	47833800	Carton Case for CLASSIQUE A-1130



## 8. ACCESSORY LIST

Stock No.	Description
46968900	Operating Instruction for A-1100
46969000	Operating Instruction for CLASSIQUE A-1130



SANSUI ELECTRIC CO., LTD.:

SANSUI ELECTRONICS CORPORATION:

SANSUI ELECTRONICS (U.K.) LTD.  
SANSUI ELECTRONICS G.M.B.H.:

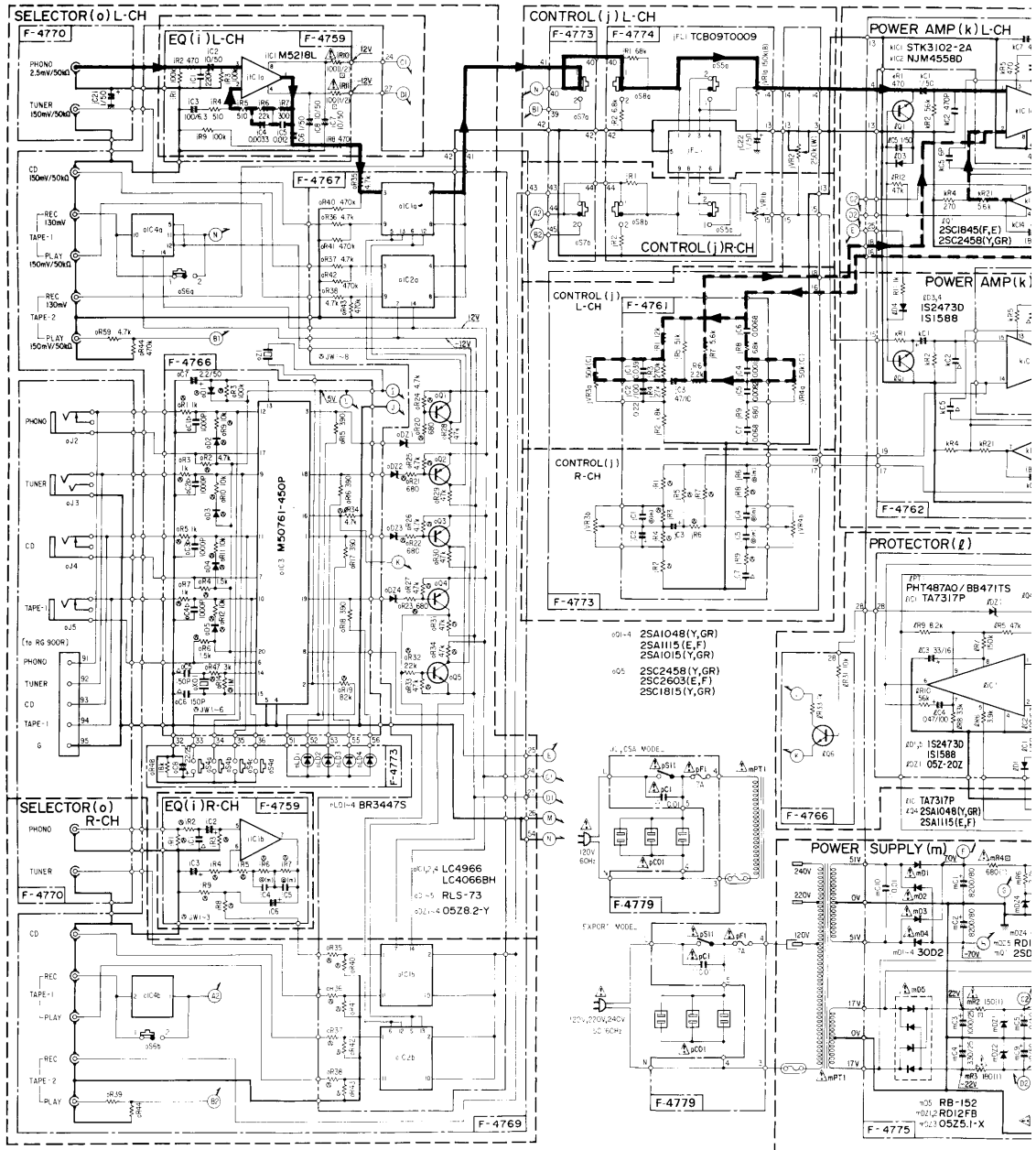
14-1, Izumi 2-chome, Suginami-ku, Tokyo 188 Japan  
PHONE: (03) 324-8891/TELEX: 232-2076 (International Division)  
1250 Valley Brook Ave. Lyndhurst, N.J. 07071 U.S.A.  
17150 South Margay Ave. Carson, California 90746 U.S.A.  
3036 Koapaka Street, Honolulu, Hawaii 96819 U.S.A.  
Unit 10A, Lyon Industrial Estate, Rockware Avenue, Geonford, Midx UB6, OAA, England  
Pau Ehrlich Strasse 8, 6074 Rödermark 2, West Germany

(SM1-233)

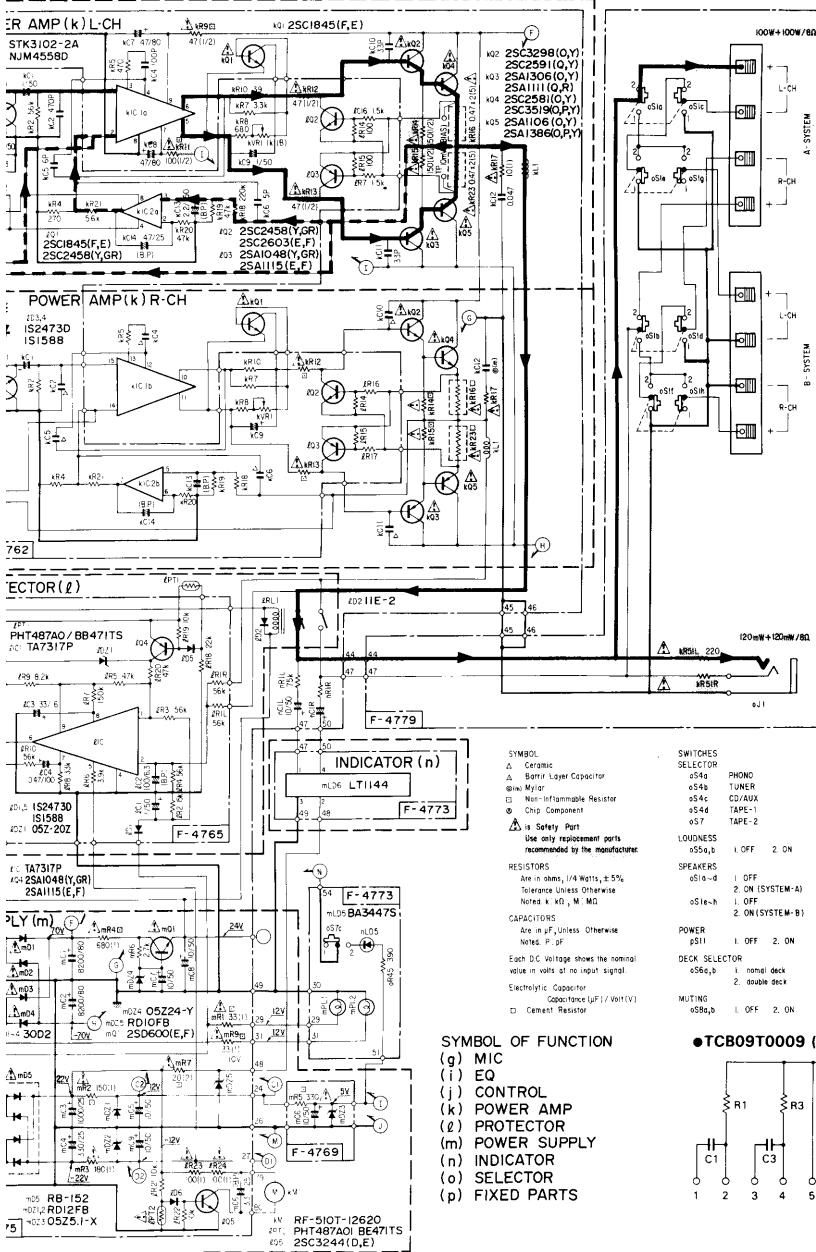
Printed in Japan (252810M) < Stock No. 36512800 >

A	B	C	D
---	---	---	---

### 5. SCHEMATIC DIAGRAM



• Design and specifications subject to change without notice for improvement.  
• La présentation et les spécifications sont susceptibles d'être modifiées sans préavis par suites d'améliorations éventuelles.  
• Änderungen, die dem technischen Fortschritt dienen, bleiben vorbehalten.



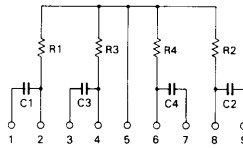
**SYMBOL**  
 Δ Ceramic  
 ▽ Barrier Layer Capacitor  
 ⊖/⊕ Mylar  
 □ Non-Flammable Resistor  
 ⊙ Chip Component  
 ⚠ is Safety Part  
 Use only replacement parts recommended by the manufacturer.

**RESISTORS**  
 Are in ohms, 1/4 Watts, ±5%  
 Tolerance Unless Otherwise Noted. k: K, M: MG.  
**CAPACITORS**  
 Are in pF, Unless Otherwise Noted. P: pF  
 Each D.C. voltage shows the nominal value in volts at no input signal.  
 Electrolytic Capacitor  
 Capacitance (μF) / VOLTAGE  
 □ Cement Resistor

**SYMBOL OF FUNCTION**  
 (g) MIC  
 (i) EQ  
 (j) CONTROL  
 (k) POWER AMP  
 (l) PROTECTOR  
 (m) POWER SUPPLY  
 (n) INDICATOR  
 (o) SELECTOR  
 (p) FIXED PARTS

**SWITCHES**  
**SELECTOR**  
 o54e PHONO  
 o54b TUNER  
 o54c CD/AUX  
 o54d TAPE-1  
 o57 TAPE-2  
**LOUDNESS**  
 o55a,b 1. OFF 2. ON  
**SPEAKERS**  
 o51a-d 1. OFF  
 2. ON (SYSTEM-A)  
 o51e-h 1. OFF  
 2. ON (SYSTEM-B)  
**POWER**  
 p511 1. OFF 2. ON  
**DECK SELECTOR**  
 o56a,b 1. normal deck  
 2. double deck  
**MUTING**  
 o58a,b 1. OFF 2. ON

●TCB09T0009 (CR Module)



- 2SA1015 2SB631K
- 2SC1845 2SD600K
- 2SA1106 2SA1048
- 2SA1186 2SA1115
- 2SA1265 2SC2458
- 2SC2581 2SC2458
- 2SC2837 2SC2603
- 2SC3182
- TA7317P
- STK3102-2A
- LC4066BH
- LC4966
- MS0761-450P
- NJM4558
- Dot at Slot or Line
- M5218L
- RB152-LFF
- 1S1588TP-3
- 1S2473177
- 11E-2
- 30D2
- O525 1-X
- O528 2-Y
- O5224-Y
- RD7 5F-B
- RD12F-B
- TCB09T0009
- RLS-73

1  
2  
3  
4  
5